

Figure 1C. Layout of the Southwestern Portion of the Study Site.

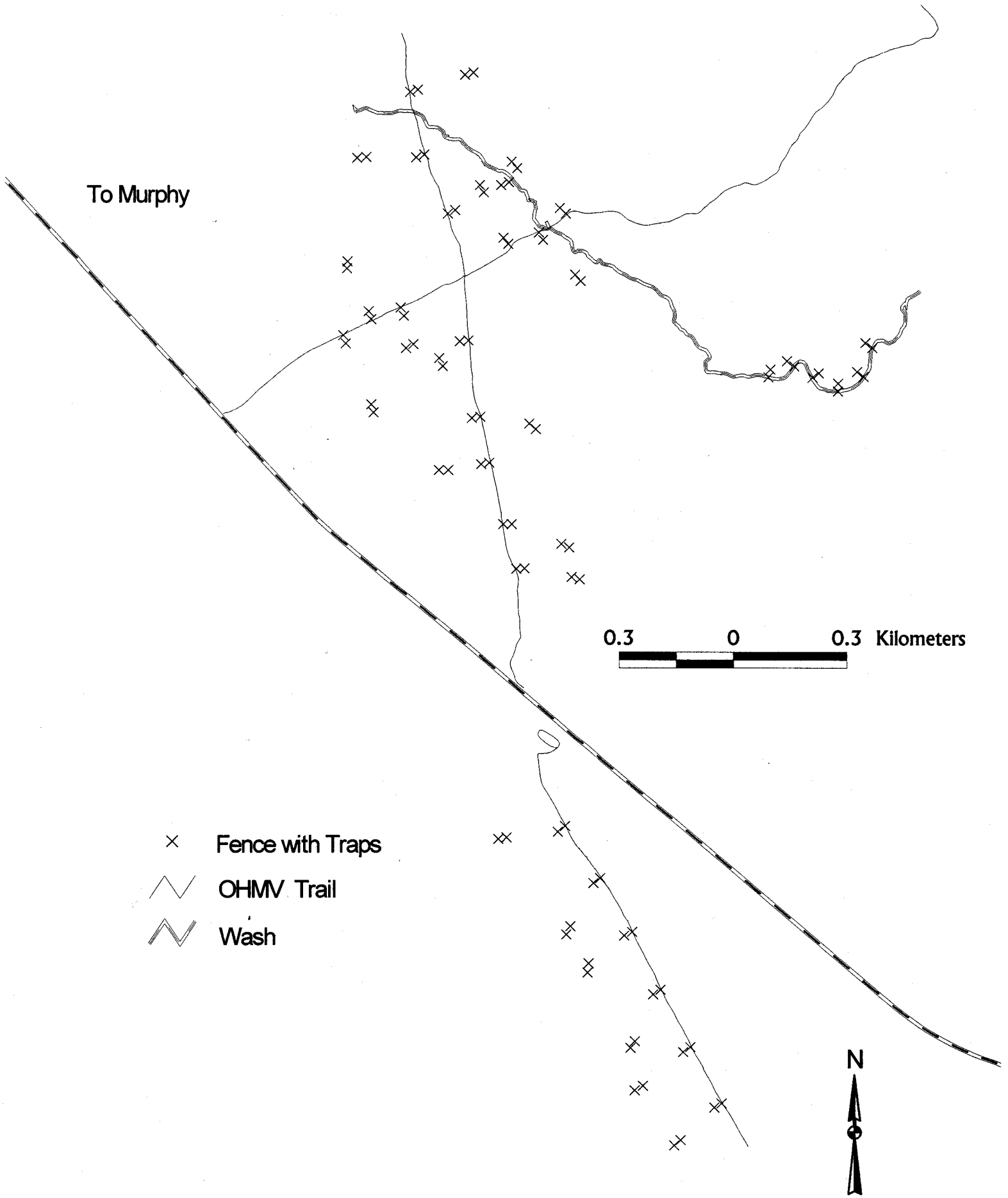


Figure 2a. Placement of traps at end of fence.

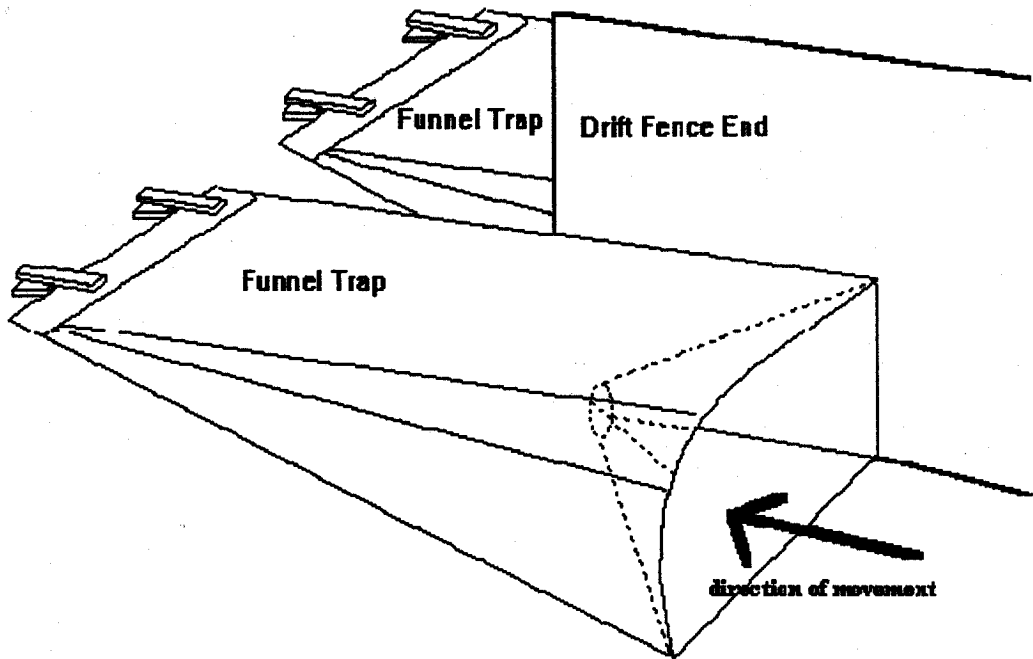
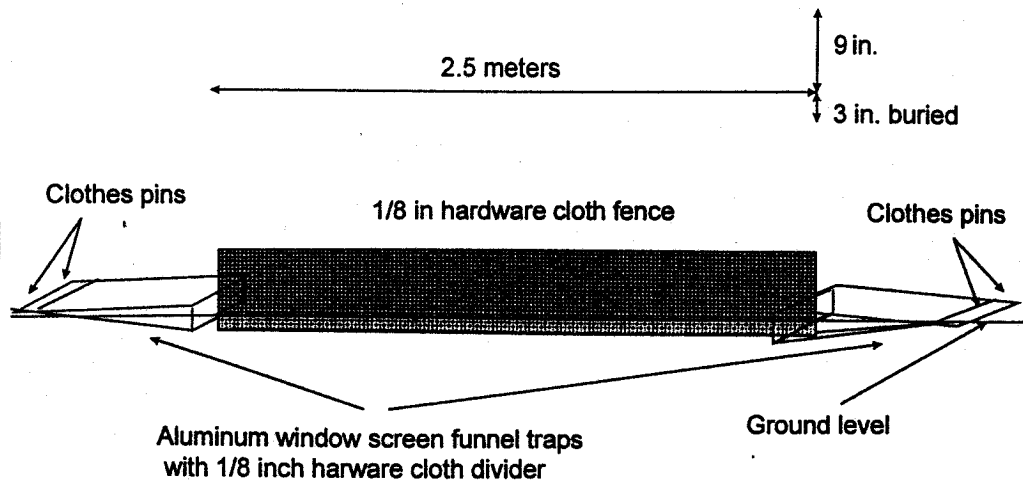


Figure 2b. Overall view of drift fence.

Fence Construction



Trap Placement

Figure 3. Placement of traps near trails.

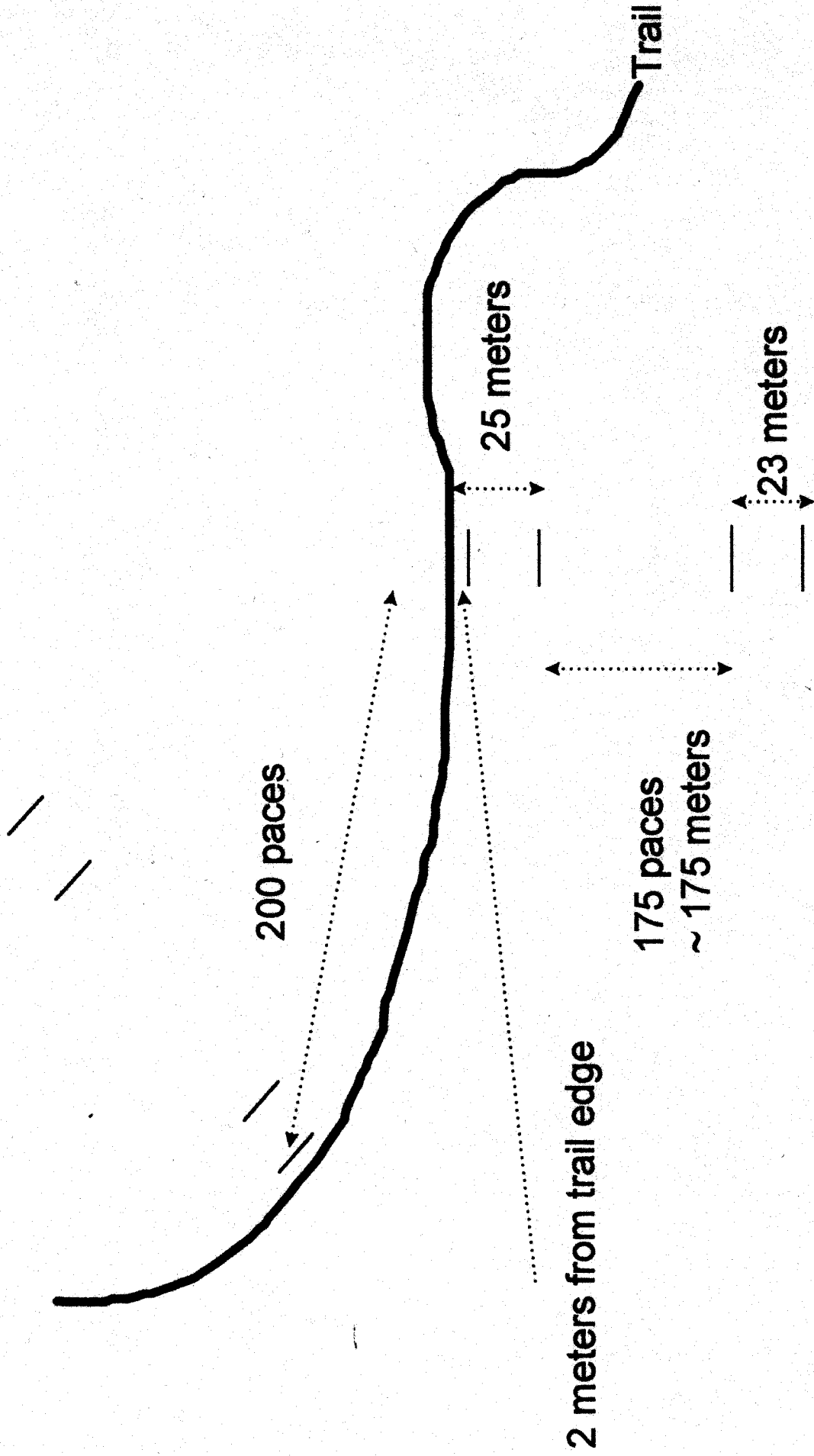


Figure 4a. Overview of Study area, showing arrangement of plots near trails and washes. See 4b and 4c for close-ups of the northeast and southwest portions.

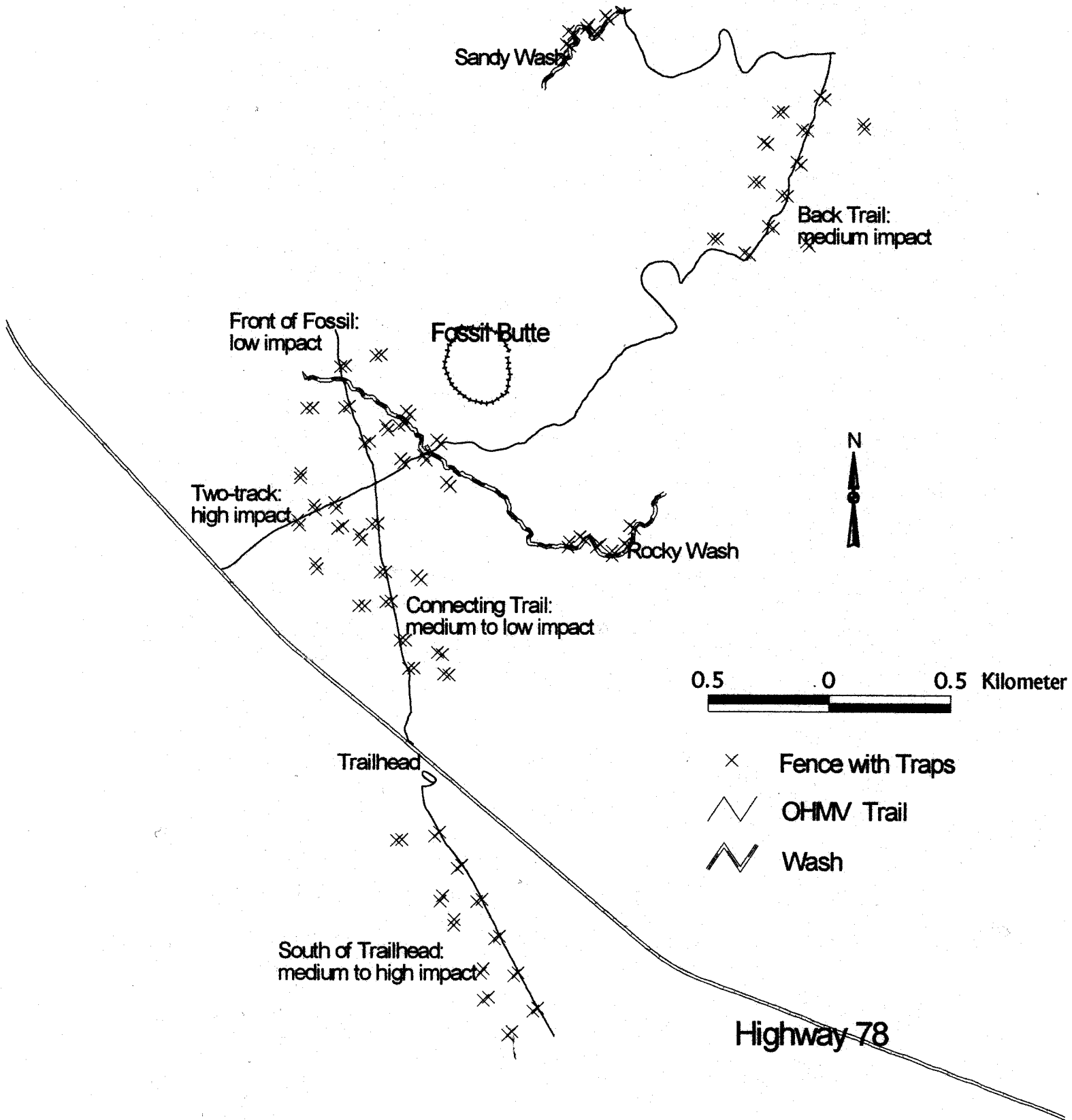


Figure 4b. Close up of northwestern portion of study site showing arrangement of plots near trail and near wash.

Sandy Wash

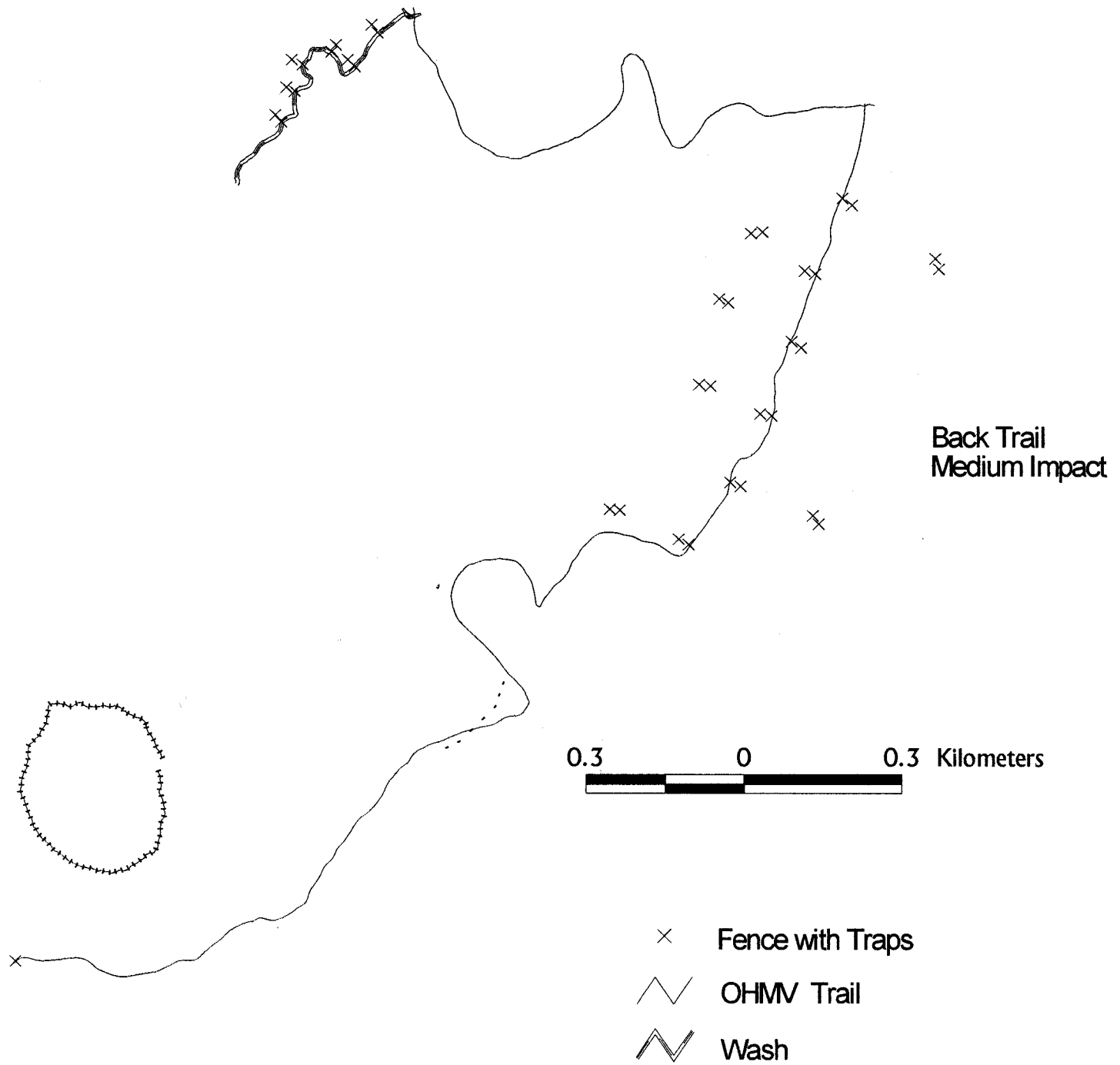


Figure 4C. Layout of the Southwestern Portion of the Study Site.

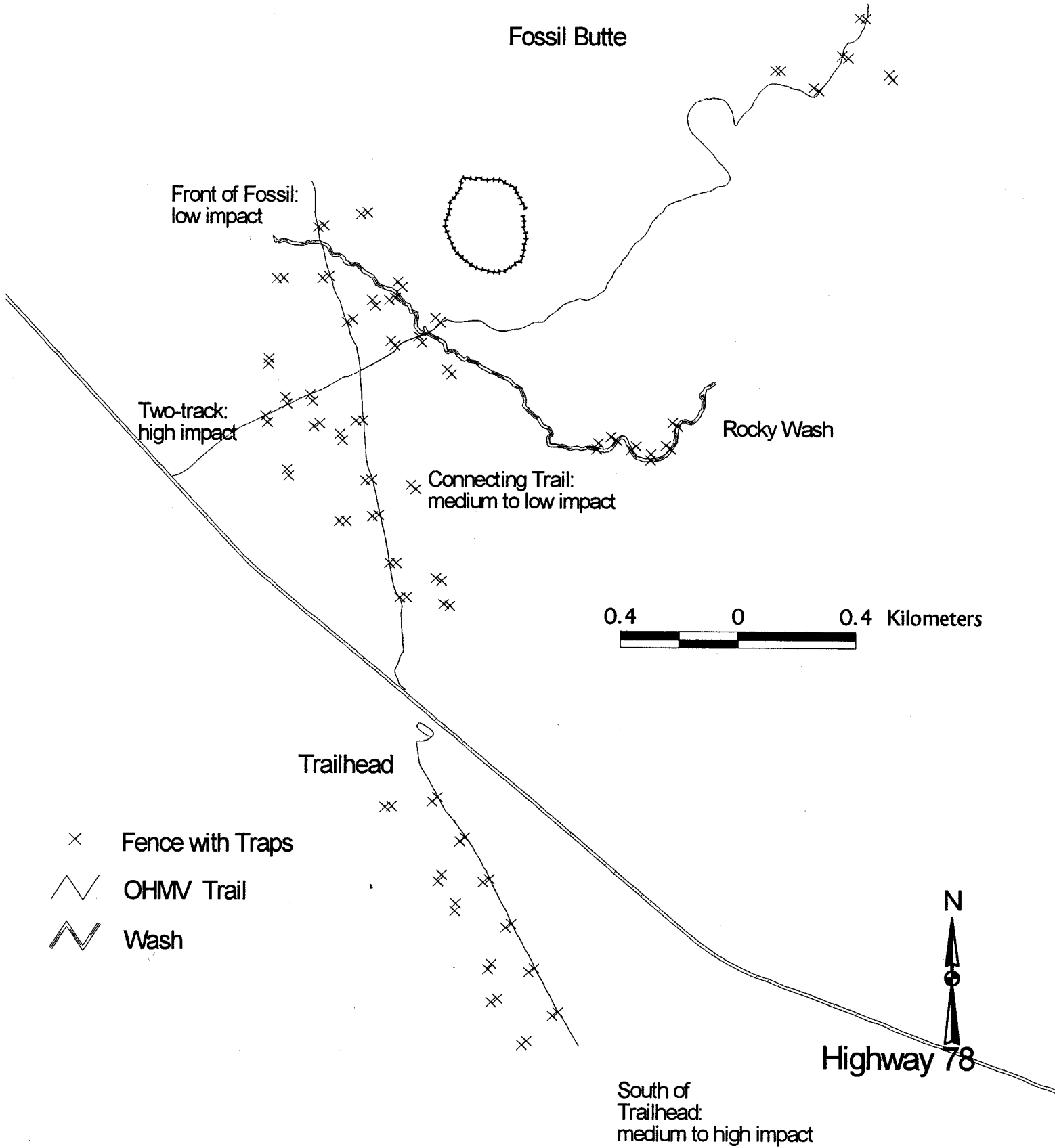


Figure 5a. Snakes: All Species

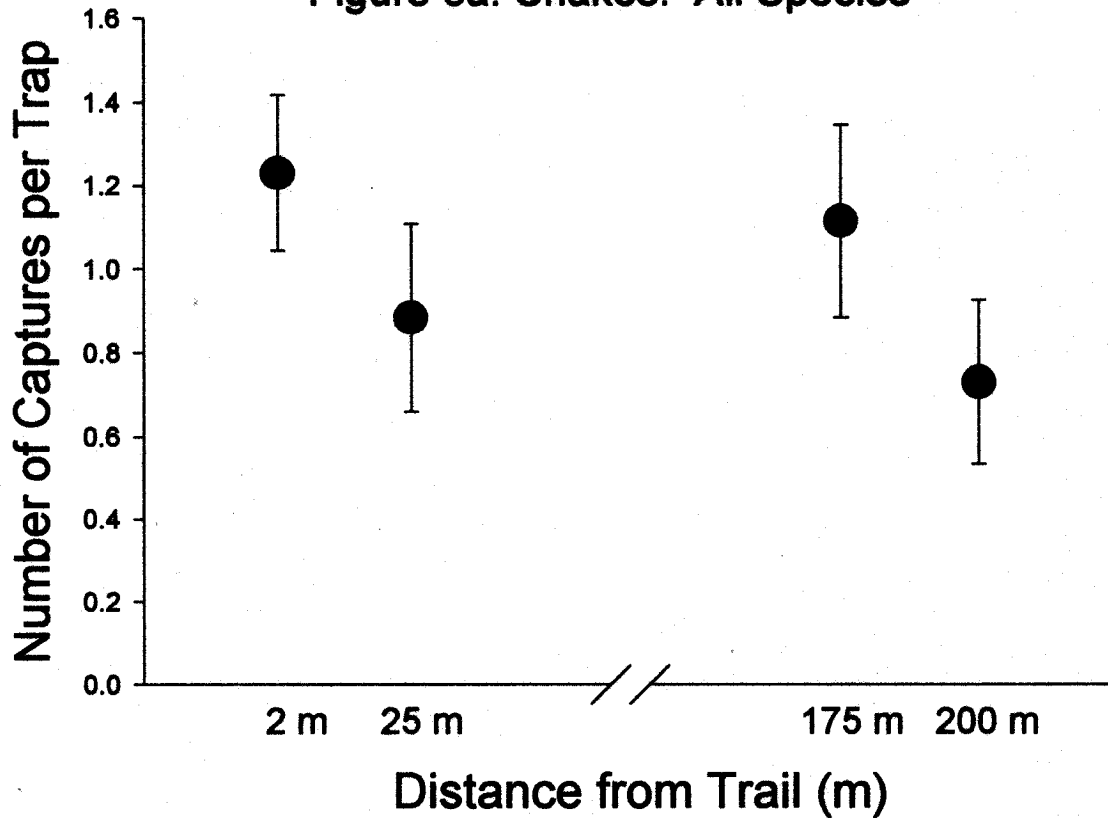


Figure 5b. Lizards: All Species

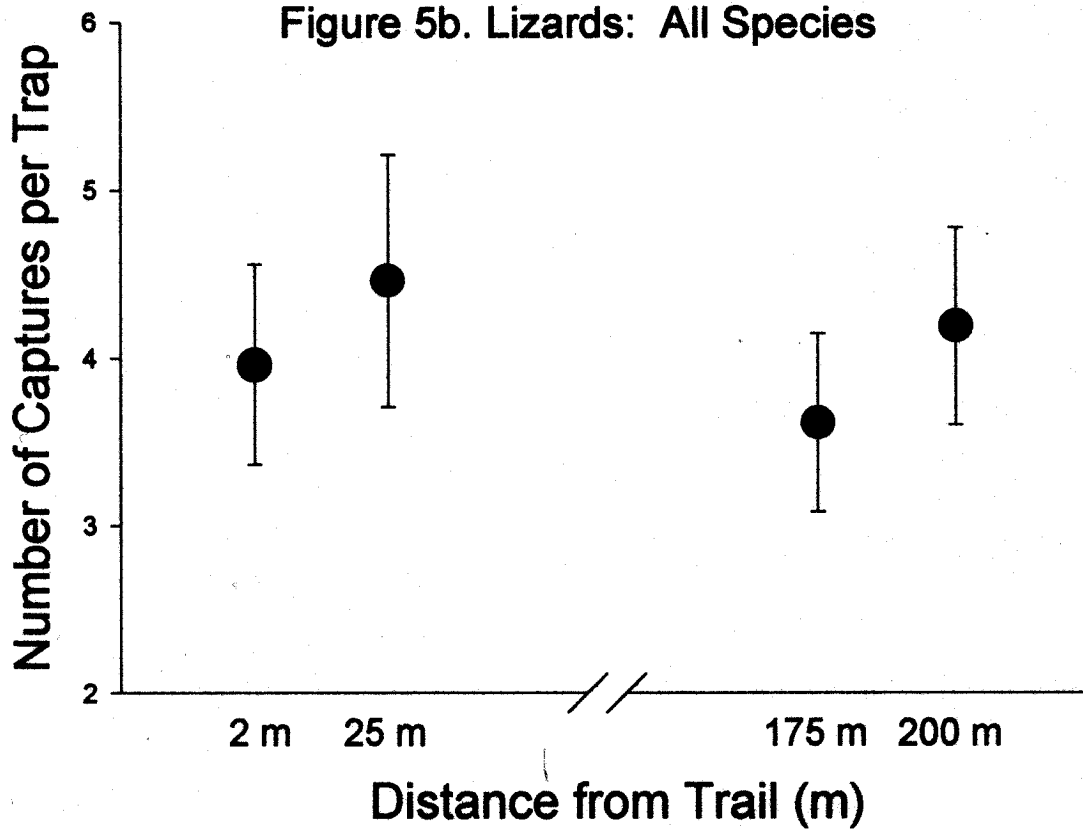


Figure 6a. Snakes: Sensitive Species

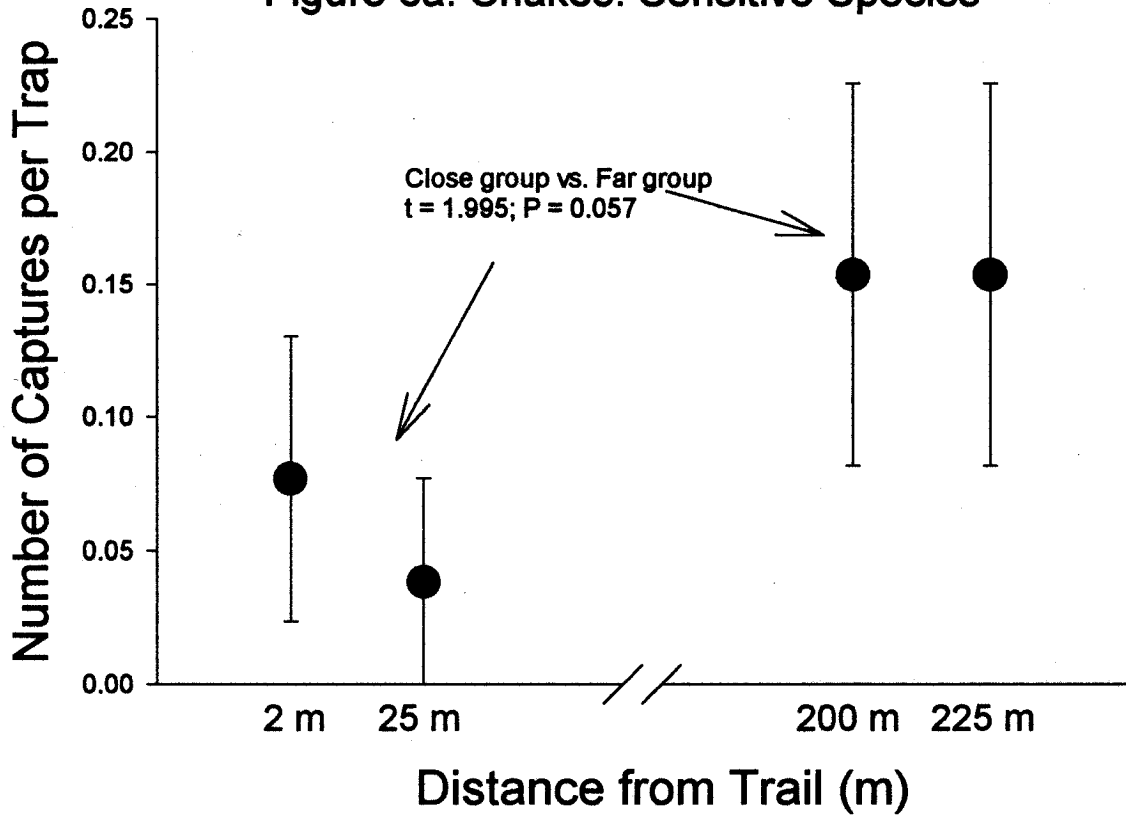
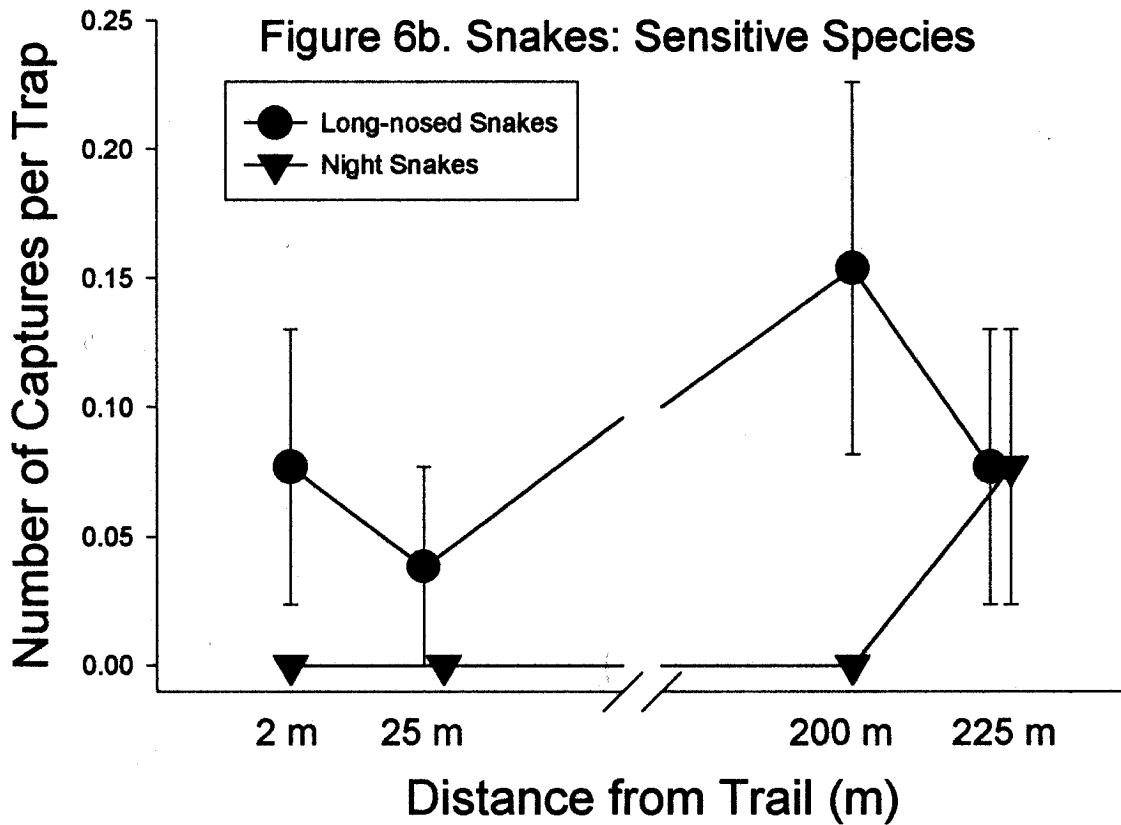
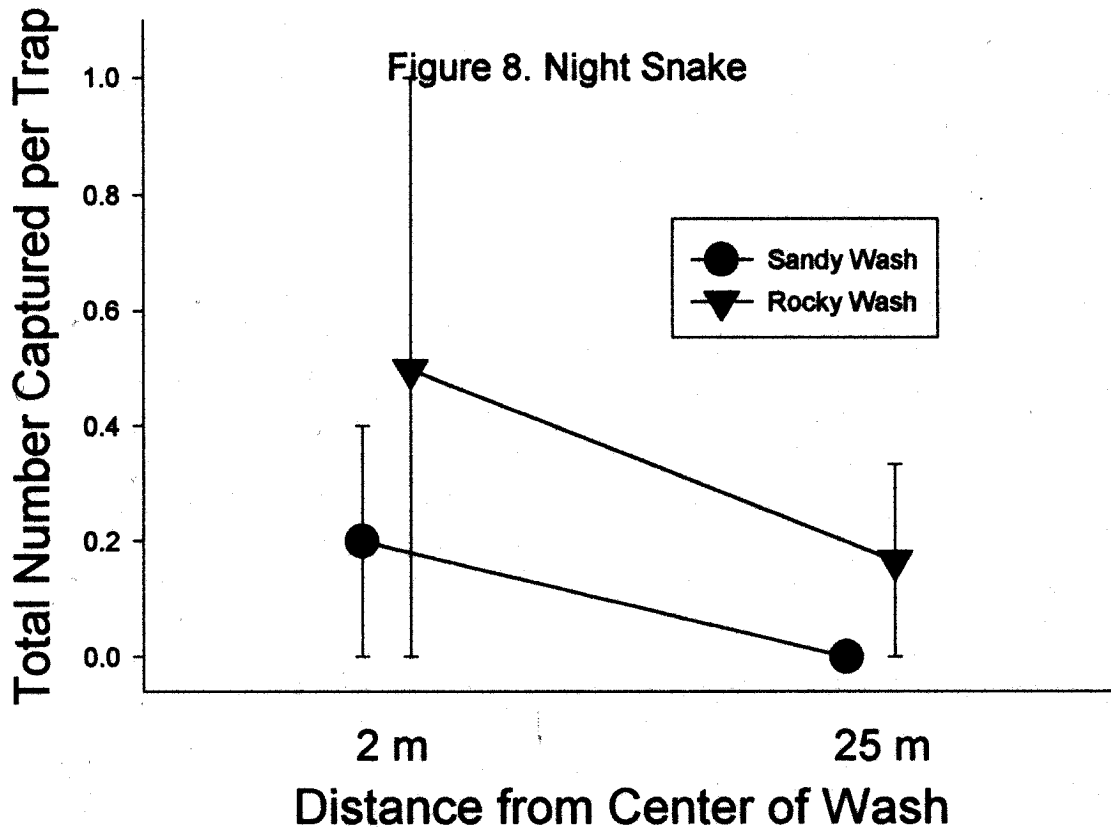
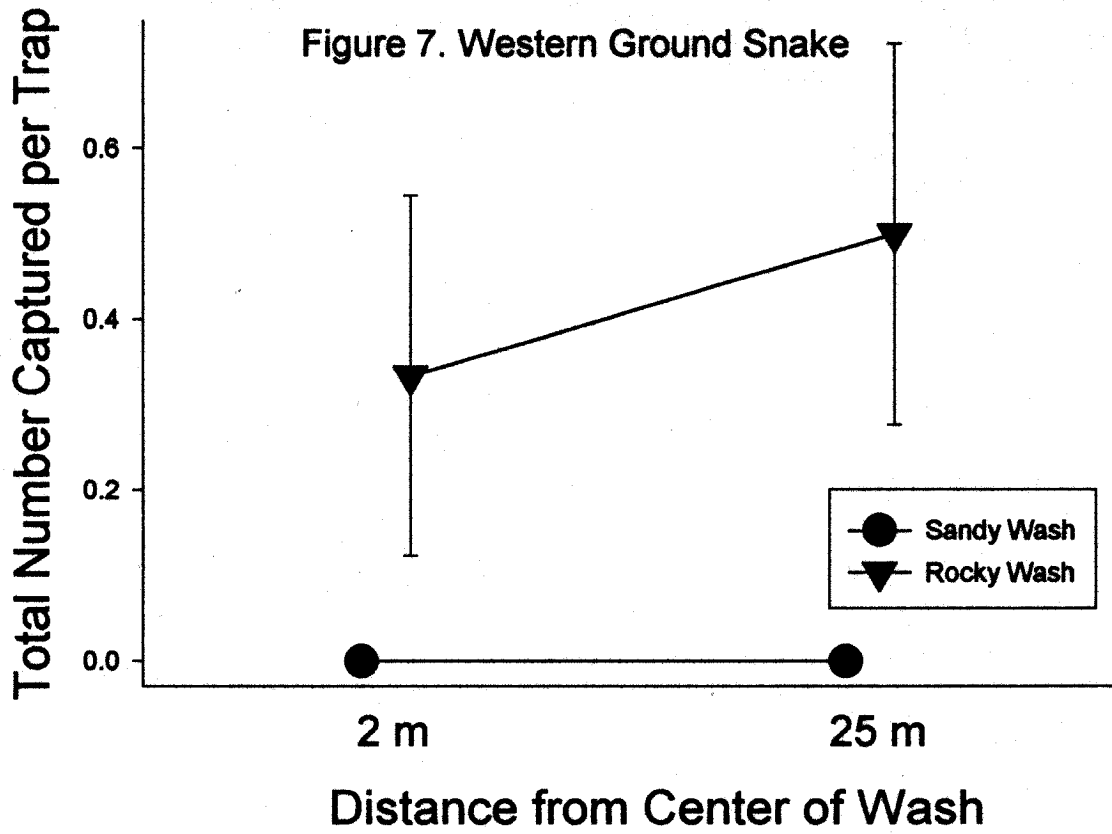


Figure 6b. Snakes: Sensitive Species





Appendix 1. Captures of snakes.						
Date	Time	Trap #	trapytype	Genus and species	Temp C	Weather
5/30/97	815	22B	***D***	<i>Pituophis catenifer</i>	22	sunny calm
5/30/97	946	02G	***C***	<i>Rhinocelhus lecontei</i>	27	sunny breezy
5/31/97	1209	00C	***A***	<i>Pituophis catenifer</i>	32	partly cloudy breezy
5/31/97	1227	00H	***B***	<i>Masticophis taeniatus</i>	34	partly cloudy light breeze
5/31/97	1244	01C	***A***	<i>Masticophis taeniatus</i>	36	partly cloudy light breeze
5/31/97	1304	02B	***B***	<i>Pituophis catenifer</i>	34	partly cloudy light breeze
5/31/97	1319	02E	***A***	<i>Pituophis catenifer</i>	34	partly cloudy light breeze
6/1/97	1029	00C	***A***	<i>Pituophis catenifer</i>	21	mostly cloudy breezy
6/1/97	1125	02B	***B***	<i>Masticophis taeniatus</i>	26	mostly cloudy breezy
6/1/97	1131	02C	***C***	<i>Pituophis catenifer</i>	27	mostly cloudy breezy
6/1/97	1140	02F	***B***	<i>Masticophis taeniatus</i>	27	mostly cloudy breezy
6/2/97	1714	00E	***C***	<i>Masticophis taeniatus</i>	31	clear calm
6/2/97	1817	02C	***C***	<i>Pituophis catenifer</i>	32	partly cloudy breezy
6/2/97	1840	02G	***C***	<i>Masticophis taeniatus</i>	29	partly cloudy breezy
6/2/97	1853	03C	***C***	<i>Masticophis taeniatus</i>	30	partly cloudy light breeze
6/7/97	1155	23B	***C***	<i>Masticophis taeniatus</i>	24	clear breezy
6/7/97	1444	2B	***B***	<i>Pituophis catenifer</i>	28	clear windy
6/8/97	1158	23F	***C***	<i>Masticophis taeniatus</i>	25	partly cloudy windy
6/8/97	1413	02C	***C***	<i>Masticophis taeniatus</i>	26	partly cloudy windy
6/9/97	1700	5D	***D***	<i>Masticophis taeniatus</i>	34	partly cloudy breezy
6/10/97	908	21B	***B***	<i>Pituophis catenifer</i>	19	clear light breeze
6/10/97	914	22B	***D***	<i>Masticophis taeniatus</i>	20	clear light breeze
6/11/97	919	00C	***A***	<i>Masticophis taeniatus</i>	26	clear light breeze
6/11/97	1118	02E	***A***	<i>Pituophis catenifer</i>	24	mostly cloudy light breeze
6/11/97	1147	03F	***A***	<i>Pituophis catenifer</i>	27	mostly cloudy light breeze
6/11/97	1147	03F	***A***	<i>Pituophis catenifer</i>	27	mostly cloudy light breeze
6/11/97	1158	13B	***D***	<i>Pituophis catenifer</i>	29	mostly cloudy light breeze
6/14/97	1428	6C	***C***	<i>Masticophis taeniatus</i>	29	partly cloudy breezy
6/14/97	1517	11A	***E***	<i>Sonora semiannulata</i>	28	partly cloudy breezy
6/14/97	1855	22I	***C***	<i>Rhinocelhus lecontei</i>	25	mostly cloudy light breeze
6/16/97	1157	23C	***D***	<i>Masticophis taeniatus</i>	32	partly cloudy windy
6/16/97	1242	22A	***C***	<i>Pituophis catenifer</i>	35	partly cloudy breezy
6/16/97	1305	6A	***A***	<i>Masticophis taeniatus</i>	28	partly cloudy breezy
6/16/97	1356	8B	***F***	<i>Sonora semiannulata</i>	33	partly cloudy breezy
6/16/97	1540	02A	***A***	<i>Masticophis taeniatus</i>	34	partly cloudy breezy
6/16/97	1600	02G	***C***	<i>Masticophis taeniatus</i>	35	partly cloudy calm
6/18/97	906	00F	***D***	<i>Pituophis catenifer</i>	21	clear breezy
6/18/97	914	4C	***C***	<i>Masticophis taeniatus</i>	22	partly cloudy breezy
6/19/97	836	11A	***E***	<i>Hypsiglena torquata</i>	22	clear breezy
6/19/97	1020	23I	***B***	<i>Masticophis taeniatus</i>	22	clear windy
6/19/97	1027	22C	***A***	<i>Masticophis taeniatus</i>	24	clear windy
6/19/97	1048	22B	***D***	<i>Masticophis taeniatus</i>	26	clear windy
6/20/97	1517	02F	***B***	<i>Pituophis catenifer</i>	27	clear breezy
6/20/97	1525	02H	***D***	<i>Masticophis taeniatus</i>	27	clear breezy
6/20/97	1543	13A	***C***	<i>Masticophis taeniatus</i>	28	clear breezy
6/21/97	1638	12B	***F***	<i>Sonora semiannulata</i>	34	partly cloudy breezy
6/22/97	1539	4D	***D***	<i>Hypsiglena torquata</i>	29	partly cloudy breezy
6/22/97	1546	4A	***A***	<i>Masticophis taeniatus</i>	30	partly cloudy breezy
6/22/97	1610	00D	***B***	<i>Masticophis taeniatus</i>	27	partly cloudy breezy
6/22/97	1659	1D	***D***	<i>Rhinocelhus lecontei</i>	30	partly cloudy breezy
6/23/97	1203	10B	***F***	<i>Sonora semiannulata</i>	26	partly cloudy breezy
6/23/97	1358	00B	***D***	<i>Pituophis catenifer</i>	20	mostly cloudy breezy
6/23/97	1404	23F	***C***	<i>Masticophis taeniatus</i>	20	mostly cloudy windy
6/23/97	1436	22J	***D***	<i>Masticophis taeniatus</i>	21	mostly cloudy windy
6/23/97	1443	22C	***A***	<i>Masticophis taeniatus</i>	23	mostly cloudy windy
6/23/97	1459	21B	***B***	<i>Masticophis taeniatus</i>	21	mostly cloudy breezy
6/23/97	1459	21B	***B***	<i>Pituophis catenifer</i>	21	mostly cloudy breezy
6/23/97	1507	22B	***D***	<i>Masticophis taeniatus</i>	21	mostly cloudy breezy
7/9/97	2005	14A	***A***	<i>Masticophis taeniatus</i>	25	mostly cloudy windy
7/10/97	1113	15B	***D***	<i>Hypsiglena torquata</i>	19	mostly cloudy windy
7/10/97	1132	15G	***A***	<i>Masticophis taeniatus</i>	18	mostly cloudy windy
7/10/97	1259	03D	***D***	<i>Pituophis catenifer</i>	21	partly cloudy windy

Date	Time	Trap #	trapytype	Genus and species	Temp C	Weather
7/10/97	1306	03G	***B***	<i>Masticophis taeniatus</i>	21	partly cloudy windy
7/10/97	1350	01E	***C***	<i>Pituophis catenifer</i>	24	partly cloudy breezy
7/10/97	1413	1A	***A***	<i>Rhinocheilus lecontei</i>	25	partly cloudy breezy
7/10/97	1441	7A	***E***	<i>Pituophis catenifer</i>	29	partly cloudy breezy
7/10/97	1505	12A	***E***	<i>Sonora semiannulata</i>	25	partly cloudy breezy
7/10/97	1556	23H	***A***	<i>Masticophis taeniatus</i>	22	partly cloudy breezy
7/10/97	1615	22K	***A***	<i>Masticophis taeniatus</i>	23	partly cloudy breezy
7/10/97	1649	21A	***A***	<i>Masticophis taeniatus</i>	25	partly cloudy breezy
7/10/97	1656	22A	***C***	<i>Masticophis taeniatus</i>	25	partly cloudy breezy
7/10/97	1722	26B	***F***	<i>Masticophis taeniatus</i>	27	partly cloudy breezy
7/10/97	1739	29B	***F***	<i>Masticophis taeniatus</i>	27	partly cloudy breezy
7/10/97	1744	30B	***F***	<i>Pituophis catenifer</i>	28	partly cloudy breezy
7/10/97	1744	30B	***F***	<i>Pituophis catenifer</i>	28	partly cloudy breezy
7/10/97	1752	25A	***E***	<i>Pituophis catenifer</i>	26	partly cloudy breezy
7/11/97	1152	03F	***A***	<i>Masticophis taeniatus</i>	22	clear breezy
7/12/97	1245	01B	***D***	<i>Pituophis catenifer</i>	24	clear windy
7/12/97	1254	01F	***D***	<i>Masticophis taeniatus</i>	24	clear windy
7/12/97	1322	4A	***A***	<i>Masticophis taeniatus</i>	24	clear windy
7/13/97	1304	25A	***E***	<i>Masticophis taeniatus</i>	29	clear breezy
7/13/97	1333	21A	***A***	<i>Masticophis taeniatus</i>	32	clear breezy
7/13/97	1420	23F	***C***	<i>Masticophis taeniatus</i>	34	clear breezy
7/14/97	905	11A	***E***	<i>Hypsiglena torquata</i>	27	clear calm
7/14/97	1029	02F	***B***	<i>Masticophis taeniatus</i>	29	clear breezy
7/14/97	1053	13A	***C***	<i>Rhinocheilus lecontei</i>	30	clear breezy
7/14/97	1102	03H	***A***	<i>Masticophis taeniatus</i>	30	clear breezy
7/15/97	1329	6A	***A***	<i>Masticophis taeniatus</i>	36	clear breezy
7/15/97	1335	6C	***C***	<i>Rhinocheilus lecontei</i>	37	clear breezy
7/15/97	1416	2C	***C***	<i>Pituophis catenifer</i>	34	clear windy
7/15/97	1627	11A	***E***	<i>Hypsiglena torquata</i>	33	clear calm
7/15/97	1641	11B	***F***	<i>Hypsiglena torquata</i>	37	clear calm
7/16/97	717	27A	***E***	<i>Hypsiglena torquata</i>	21	clear breezy
7/16/97	750	22A	***C***	<i>Pituophis catenifer</i>	24	clear breezy
7/16/97	752	22B	***D***	<i>Rhinocheilus lecontei</i>	24	clear breezy
7/16/97	811	22H	***B***	<i>Pituophis catenifer</i>	25	clear windy
7/16/97	832	23B	***C***	<i>Pituophis catenifer</i>	25	clear windy
7/16/97	1016	14J	***B***	<i>Crotalus viridis</i>	29	clear breezy
7/16/97	1041	15I	***C***	<i>Pituophis catenifer</i>	31	clear breezy
7/16/97	1130	03H	***A***	<i>Masticophis taeniatus</i>	33	clear breezy
7/16/97	1138	03C	***C***	<i>Pituophis catenifer</i>	31	clear breezy
7/16/97	1259	12A	***E***	<i>Pituophis catenifer</i>	38	clear breezy
7/16/97	1410	4C	***C***	<i>Masticophis taeniatus</i>	34	clear breezy
7/17/97	822	14I	***A***	<i>Pituophis catenifer</i>	22	cloudy breezy
7/17/97	1236	23H	***A***	<i>Crotalus viridis</i>	26	cloudy breezy
7/18/97	950	14H	***D***	<i>Pituophis catenifer</i>	24	clear breezy
7/19/97	1132	4C	***C***	<i>Masticophis taeniatus</i>	28	partly cloudy light breeze
7/20/97	958	22K	***A***	<i>Pituophis catenifer</i>	29	clear calm
7/20/97	1011	22H	***B***	<i>Pituophis catenifer</i>	30	clear calm
7/21/97	1548	15L	***B***	<i>Masticophis taeniatus</i>	33	mostly cloudy windy
7/21/97	1706	12B	***F***	<i>Masticophis taeniatus</i>	33	clear breezy
7/22/97	739	23E	***B***	<i>Rhinocheilus lecontei</i>	24	clear breezy
7/22/97	759	22H	***B***	<i>Rhinocheilus lecontei</i>	24	clear breezy
7/22/97	1157	6B	***B***	<i>Pituophis catenifer</i>	39	clear breezy
7/23/97	845	14E	***A***	<i>Pituophis catenifer</i>	26	clear breezy
7/23/97	858	15A	***C***	<i>Pituophis catenifer</i>	25	clear breezy
7/23/97	950	2A	***A***	<i>Masticophis taeniatus</i>	27	clear breezy
7/23/97	950	2A	***A***	<i>Masticophis taeniatus</i>	27	clear breezy
7/23/97	959	00D	***B***	<i>Pituophis catenifer</i>	29	clear breezy
7/23/97	1112	23A	***B***	<i>Masticophis taeniatus</i>	30	clear windy
7/23/97	1228	12A	***E***	<i>Masticophis taeniatus</i>	38	clear breezy
7/24/97	921	6B	***B***	<i>Masticophis taeniatus</i>	30	clear breezy
7/24/97	1037	02F	***B***	<i>Pituophis catenifer</i>	30	clear breezy

Appendix 2. Captures of Lizards						
Date	Time	Trap #	trapytype	Genus and species	Temp C	Weather
5/29/97	1118	00H	***B***	<i>Cnemidophorus tigris</i>	26	cloudy breezy
5/29/97	1118	00H	***B***	<i>Cnemidophorus tigris</i>	26	cloudy breezy
5/29/97	1118	00H	***B***	<i>Cnemidophorus tigris</i>	26	cloudy breezy
5/29/97	1118	00H	***B***	<i>Cnemidophorus tigris</i>	26	cloudy breezy
5/29/97	1201	01F	***D***	<i>Cnemidophorus tigris</i>	24	cloudy light breeze
5/30/97	837	00D	***B***	<i>Cnemidophorus tigris</i>	21	sunny calm
5/30/97	851	00H	***B***	<i>Uta stansburiana</i>	24	sunny calm
5/30/97	857	01B	***D***	<i>Cnemidophorus tigris</i>	25	sunny breezy
5/31/97	1050	22C	***A***	<i>Cnemidophorus tigris</i>	22	partly cloudy breezy
5/31/97	1050	22C	***A***	<i>Cnemidophorus tigris</i>	22	partly cloudy breezy
5/31/97	1050	22C	***A***	<i>Gambella wislizeni</i>	22	partly cloudy breezy
5/31/97	1100	22A	***C***	<i>Cnemidophorus tigris</i>	22	partly cloudy breezy
5/31/97	1105	22B	***D***	<i>Cnemidophorus tigris</i>	22	partly cloudy breezy
5/31/97	1218	00E	***C***	<i>Cnemidophorus tigris</i>	33	partly cloudy light breeze
5/31/97	1227	00H	***B***	<i>Cnemidophorus tigris</i>	34	partly cloudy light breeze
5/31/97	1233	01A	***C***	<i>Cnemidophorus tigris</i>	34	partly cloudy light breeze
5/31/97	1233	01A	***C***	<i>Cnemidophorus tigris</i>	34	partly cloudy light breeze
5/31/97	1311	02C	***C***	<i>Gambella wislizeni</i>	33	partly cloudy calm
5/31/97	1322	02F	***B***	<i>Cnemidophorus tigris</i>	36	partly cloudy breezy
5/31/97	1324	02G	***C***	<i>Cnemidophorus tigris</i>	34	partly cloudy breezy
5/31/97	1324	02G	***C***	<i>Cnemidophorus tigris</i>	34	partly cloudy breezy
5/31/97	1340	03C	***C***	<i>Gambella wislizeni</i>	34	partly cloudy calm
5/31/97	1402	13C	***C***	<i>Gambella wislizeni</i>	36	partly cloudy breezy
5/31/97	1405	13D	***D***	<i>Uta stansburiana</i>	37	partly cloudy breezy
6/1/97	1032	00C	***A***	<i>Cnemidophorus tigris</i>	21	mostly cloudy breezy
6/1/97	1041	00F	***D***	<i>Cnemidophorus tigris</i>	24	mostly cloudy breezy
6/1/97	1051	00G	***A***	<i>Cnemidophorus tigris</i>	22	mostly cloudy breezy
6/1/97	1044	00E	***C***	<i>Cnemidophorus tigris</i>	23	mostly cloudy breezy
6/1/97	1059	01B	***D***	<i>Uta stansburiana</i>	23	mostly cloudy breezy
6/1/97	1224	13C	***C***	<i>Cnemidophorus tigris</i>	29	partly cloudy breezy
6/2/97	1619	21B	***B***	<i>Cnemidophorus tigris</i>	28	clear calm
6/2/97	1713	00E	***C***	<i>Phrynosoma platyrhinos</i>	31	clear calm
6/2/97	1715	00E	***C***	<i>Cnemidophorus tigris</i>	31	clear calm
6/2/97	1726	00H	***B***	<i>Cnemidophorus tigris</i>	33	partly cloudy breezy
6/2/97	1726	00H	***B***	<i>Cnemidophorus tigris</i>	33	partly cloudy breezy
6/2/97	1733	01B	***D***	<i>Gambella wislizeni</i>	33	partly cloudy breezy
6/2/97	1809	02A	***A***	<i>Phrynosoma platyrhinos</i>	32	partly cloudy breezy
6/2/97	1809	02A	***A***	<i>Phrynosoma platyrhinos</i>	32	partly cloudy breezy
6/2/97	1818	02C	***C***	<i>Cnemidophorus tigris</i>	32	partly cloudy breezy
6/2/97	1833	02F	***B***	<i>Cnemidophorus tigris</i>	31	partly cloudy breezy
6/2/97	1833	02F	***B***	<i>Cnemidophorus tigris</i>	31	partly cloudy breezy
6/2/97	1840	02G	***C***	<i>Uta stansburiana</i>	29	partly cloudy breezy
6/2/97	1840	02G	***C***	<i>Cnemidophorus tigris</i>	29	partly cloudy breezy
6/2/97	1854	03C	***C***	<i>Cnemidophorus tigris</i>	30	partly cloudy light breeze
6/2/97	1857	03D	***D***	<i>Cnemidophorus tigris</i>	30	high clouds light breeze
6/2/97	1905	03F	***A***	<i>Cnemidophorus tigris</i>	29	high clouds light breeze
6/2/97	1919	03I	***B***	<i>Cnemidophorus tigris</i>	28	high clouds light breeze
6/2/97	1919	03I	***B***	<i>Cnemidophorus tigris</i>	28	high clouds light breeze
6/7/97	1026	6B	***B***	<i>Cnemidophorus tigris</i>	26	clear breezy
6/7/97	1032	6D	***D***	<i>Uta stansburiana</i>	26	clear breezy
6/7/97	1036	00F	***D***	<i>Cnemidophorus tigris</i>	26	clear breezy
6/7/97	1036	00F	***D***	<i>Cnemidophorus tigris</i>	26	clear breezy
6/7/97	1038	00E	***C***	<i>Cnemidophorus tigris</i>	26	clear breezy
6/7/97	1041	4C	***C***	<i>Cnemidophorus tigris</i>	26	clear breezy
6/7/97	1044	4D	***D***	<i>Uta stansburiana</i>	25	clear breezy
6/7/97	1051	4A	***A***	<i>Cnemidophorus tigris</i>	25	clear breezy
6/7/97	1101	5C	***C***	<i>Cnemidophorus tigris</i>	27	clear light breeze
6/7/97	1104	5D	***D***	<i>Uta stansburiana</i>	27	clear light breeze
6/7/97	1126	23H	***A***	<i>Cnemidophorus tigris</i>	26	clear breezy
6/7/97	1128	23I	***B***	<i>Cnemidophorus tigris</i>	26	clear breezy
6/7/97	1150	23A	***B***	<i>Cnemidophorus tigris</i>	26	clear breezy
6/7/97	1204	22H	***B***	<i>Cnemidophorus tigris</i>	25	clear breezy

Date	Time	Trap #	traptype	Genus and species	Temp C	Weather
6/7/97	1231	22A	***C***	<i>Cnemidophorus tigris</i>	26	clear breezy
6/7/97	1233	22B	***D***	<i>Cnemidophorus tigris</i>	26	clear breezy
6/7/97	1253	00C	***A***	<i>Cnemidophorus tigris</i>	26	clear breezy
6/7/97	1258	00G	***A***	<i>Cnemidophorus tigris</i>	26	clear breezy
6/7/97	1300	00H	***B***	<i>Cnemidophorus tigris</i>	26	clear breezy
6/7/97	1322	01F	***D***	<i>Uta stansburiana</i>	26	clear breezy
6/7/97	1334	02A	***A***	<i>Cnemidophorus tigris</i>	27	clear breezy
6/7/97	1346	3C	***C***	<i>Cnemidophorus tigris</i>	28	clear breezy
6/7/97	1346	3C	***C***	<i>Cnemidophorus tigris</i>	28	clear breezy
6/7/97	1349	3D	***D***	<i>Cnemidophorus tigris</i>	28	clear breezy
6/7/97	1355	02F	***B***	<i>Cnemidophorus tigris</i>	29	clear windy
6/7/97	1400	02G	***C***	<i>Cnemidophorus tigris</i>	29	clear breezy
6/7/97	1402	02H	***D***	<i>Cnemidophorus tigris</i>	27	clear breezy
6/7/97	1402	02H	***D***	<i>Cnemidophorus tigris</i>	27	clear breezy
6/7/97	1402	02H	***D***	<i>Cnemidophorus tigris</i>	27	clear breezy
6/7/97	1429	03I	***B***	<i>Cnemidophorus tigris</i>	30	clear windy
6/7/97	1438	3B	***B***	<i>Cnemidophorus tigris</i>	28	clear windy
6/7/97	1445	3B	***B***	<i>Cnemidophorus tigris</i>	28	clear breezy
6/8/97	1148	00A	***C***	<i>Cnemidophorus tigris</i>	23	partly cloudy windy
6/8/97	1154	23D	***A***	<i>Cnemidophorus tigris</i>	23	partly cloudy windy
6/8/97	1205	22K	***A***	<i>Cnemidophorus tigris</i>	25	partly cloudy windy
6/8/97	1205	22K	***A***	<i>Cnemidophorus tigris</i>	25	partly cloudy windy
6/8/97	1209	23B	***C***	<i>Cnemidophorus tigris</i>	24	partly cloudy windy
6/8/97	1214	22G	***A***	<i>Cnemidophorus tigris</i>	24	partly cloudy windy
6/8/97	1238	22A	***C***	<i>Cnemidophorus tigris</i>	24	partly cloudy windy
6/8/97	1240	22A	***C***	<i>Gambelia wislizenii</i>	25	partly cloudy windy
6/8/97	1242	22B	***D***	<i>Cnemidophorus tigris</i>	25	partly cloudy windy
6/8/97	1301	6A	***A***	<i>Cnemidophorus tigris</i>	26	partly cloudy windy
6/8/97	1301	6A	***A***	<i>Cnemidophorus tigris</i>	26	partly cloudy windy
6/8/97	1303	6A	***A***	<i>Uta stansburiana</i>	26	partly cloudy windy
6/8/97	1310	00F	***D***	<i>Cnemidophorus tigris</i>	25	partly cloudy windy
6/8/97	1310	00F	***D***	<i>Cnemidophorus tigris</i>	25	partly cloudy windy
6/8/97	1311	00E	***C***	<i>Cnemidophorus tigris</i>	25	partly cloudy windy
6/8/97	1316	4B	***B***	<i>Cnemidophorus tigris</i>	25	partly cloudy windy
6/8/97	1316	4B	***B***	<i>Cnemidophorus tigris</i>	25	partly cloudy windy
6/8/97	1317	4B	***B***	<i>Cnemidophorus tigris</i>	25	partly cloudy windy
6/8/97	1317	4B	***B***	<i>Cnemidophorus tigris</i>	25	partly cloudy windy
6/8/97	1321	5A	***A***	<i>Cnemidophorus tigris</i>	26	partly cloudy windy
6/8/97	1321	5A	***A***	<i>Cnemidophorus tigris</i>	26	partly cloudy windy
6/8/97	1321	5A	***A***	<i>Cnemidophorus tigris</i>	26	partly cloudy windy
6/8/97	1335	03H	***A***	<i>Cnemidophorus tigris</i>	27	partly cloudy windy
6/8/97	1401	02G	***C***	<i>Cnemidophorus tigris</i>	26	partly cloudy windy
6/8/97	1413	02C	***C***	<i>Cnemidophorus tigris</i>	26	partly cloudy windy
6/8/97	1422	00D	***B***	<i>Cnemidophorus tigris</i>	27	partly cloudy windy
6/8/97	1432	01C	***A***	<i>Cnemidophorus tigris</i>	26	partly cloudy windy
6/8/97	1437	01F	***D***	<i>Cnemidophorus tigris</i>	27	partly cloudy windy
6/8/97	1516	3A	***A***	<i>Cnemidophorus tigris</i>	27	partly cloudy windy
6/8/97	1518	3B	***B***	<i>Cnemidophorus tigris</i>	27	partly cloudy windy
6/8/97	1518	3B	***B***	<i>Cnemidophorus tigris</i>	27	partly cloudy windy
6/8/97	1518	3B	***B***	<i>Cnemidophorus tigris</i>	27	partly cloudy windy
6/8/97	1525	2D	***D***	<i>Cnemidophorus tigris</i>	28	partly cloudy windy
6/9/97	1519	6A	***A***	<i>Cnemidophorus tigris</i>	30	mostly cloudy breezy
6/9/97	1519	6A	***A***	<i>Cnemidophorus tigris</i>	30	mostly cloudy breezy
6/9/97	1654	5B	***B***	<i>Cnemidophorus tigris</i>	35	partly cloudy breezy
6/9/97	1742	3B	***B***	<i>Cnemidophorus tigris</i>	31	partly cloudy windy
6/10/97	833	22G	***A***	<i>Cnemidophorus tigris</i>	18	clear breezy
6/10/97	858	22E	***C***	<i>Cnemidophorus tigris</i>	19	clear light breeze
6/11/97	835	6C	***C***	<i>Cnemidophorus tigris</i>	23	clear light breeze
6/11/97	843	00F	***D***	<i>Cnemidophorus tigris</i>	23	clear light breeze
6/11/97	855	4B	***B***	<i>Cnemidophorus tigris</i>	24	clear light breeze
6/11/97	855	4B	***B***	<i>Cnemidophorus tigris</i>	24	clear light breeze
6/11/97	855	4B	***B***	<i>Cnemidophorus tigris</i>	24	clear light breeze
6/11/97	931	00B	***D***	<i>Cnemidophorus tigris</i>	25	clear light breeze

Date	Time	Trap #	traptype	Genus and species	Temp C	Weather
6/11/97	936	01C	***A***	<i>Cnemidophorus tigris</i>	28	clear light breeze
6/11/97	950	01F	***D***	<i>Cnemidophorus tigris</i>	28	clear light breeze
6/11/97	950	01F	***D***	<i>Cnemidophorus tigris</i>	28	clear light breeze
6/11/97	1026	2B	***B***	<i>Cnemidophorus tigris</i>	24	partly cloudy light breeze
6/11/97	1034	3A	***A***	<i>Cnemidophorus tigris</i>	24	partly cloudy light breeze
6/11/97	1038	02D	***D***	<i>Cnemidophorus tigris</i>	24	partly cloudy light breeze
6/11/97	1038	02D	***D***	<i>Cnemidophorus tigris</i>	24	partly cloudy light breeze
6/11/97	1112	02B	***B***	<i>Cnemidophorus tigris</i>	24	mostly cloudy light breeze
6/11/97	1112	02B	***B***	<i>Cnemidophorus tigris</i>	24	mostly cloudy light breeze
6/11/97	1112	02B	***B***	<i>Cnemidophorus tigris</i>	24	mostly cloudy light breeze
6/11/97	1120	02F	***B***	<i>Cnemidophorus tigris</i>	24	mostly cloudy light breeze
6/11/97	1126	02G	***C***	<i>Cnemidophorus tigris</i>	26	mostly cloudy light breeze
6/11/97	1203	13D	***D***	<i>Uta stansburiana</i>	30	mostly cloudy light breeze
6/11/97	1208	03I	***B***	<i>Cnemidophorus tigris</i>	30	mostly cloudy light breeze
6/3/97	942	21A	***A***	<i>Cnemidophorus tigris</i>	22	cloudy light breeze
6/3/97	1034	00F	***D***	<i>Cnemidophorus tigris</i>	23	cloudy light breeze
6/5/97	834	21A	***A***	<i>Cnemidophorus tigris</i>	18	cloudy wind
6/5/97	914	00F	***D***	<i>Cnemidophorus tigris</i>	18	cloudy wind
6/5/97	914	00F	***D***	<i>Cnemidophorus tigris</i>	18	cloudy wind
6/5/97	930	00C	***A***	<i>Cnemidophorus tigris</i>	18	cloudy wind
6/5/97	939	00H	***B***	<i>Cnemidophorus tigris</i>	18	cloudy wind
6/5/97	946	01C	***A***	<i>Cnemidophorus tigris</i>	17	cloudy wind
6/5/97	1031	03D	***D***	<i>Cnemidophorus tigris</i>	19	partly cloudy windy
6/5/97	1031	03D	***D***	<i>Cnemidophorus tigris</i>	19	partly cloudy windy
6/6/97	819	6A	***A***	<i>Uta stansburiana</i>	18	clear breezy
6/6/97	905	3B	***B***	<i>Cnemidophorus tigris</i>	19	clear breezy
6/6/97	905	3B	***B***	<i>Cnemidophorus tigris</i>	19	clear breezy
6/14/97	1432	00E	***C***	<i>Cnemidophorus tigris</i>	30	partly cloudy breezy
6/14/97	1440	4A	***A***	<i>Cnemidophorus tigris</i>	30	partly cloudy breezy
6/14/97	1440	4A	***A***	<i>Cnemidophorus tigris</i>	30	partly cloudy breezy
6/14/97	1442	5A	***A***	<i>Cnemidophorus tigris</i>	26	partly cloudy breezy
6/14/97	1444	5B	***B***	<i>Cnemidophorus tigris</i>	27	partly cloudy breezy
6/14/97	1447	5C	***C***	<i>Cnemidophorus tigris</i>	27	partly cloudy breezy
6/14/97	1449	5D	***D***	<i>Cnemidophorus tigris</i>	27	partly cloudy breezy
6/14/97	1512	10A	***E***	<i>Cnemidophorus tigris</i>	28	partly cloudy breezy
6/14/97	1517	11A	***E***	<i>Cnemidophorus tigris</i>	28	partly cloudy breezy
6/14/97	1559	00D	***B***	<i>Cnemidophorus tigris</i>	29	partly cloudy light breeze
6/14/97	1604	00G	***A***	<i>Cnemidophorus tigris</i>	31	partly cloudy light breeze
6/14/97	1608	01A	***C***	<i>Cnemidophorus tigris</i>	32	partly cloudy calm
6/14/97	1612	01B	***D***	<i>Cnemidophorus tigris</i>	32	partly cloudy calm
6/14/97	1617	01C	***A***	<i>Cnemidophorus tigris</i>	29	partly cloudy breezy
6/14/97	1617	01C	***A***	<i>Cnemidophorus tigris</i>	29	partly cloudy breezy
6/14/97	1635	02D	***D***	<i>Cnemidophorus tigris</i>	29	partly cloudy breezy
6/14/97	1638	3C	***C***	<i>Cnemidophorus tigris</i>	29	partly cloudy breezy
6/14/97	1642	3D	***D***	<i>Cnemidophorus tigris</i>	30	partly cloudy breezy
6/14/97	1642	3D	***D***	<i>Cnemidophorus tigris</i>	30	partly cloudy breezy
6/14/97	1642	3D	***D***	<i>Cnemidophorus tigris</i>	30	partly cloudy breezy
6/14/97	1726	2D	***D***	<i>Cnemidophorus tigris</i>	29	partly cloudy calm
6/14/97	1817	00A	***C***	<i>Cnemidophorus tigris</i>	26	partly cloudy breezy
6/14/97	1819	00B	***D***	<i>Cnemidophorus tigris</i>	27	partly cloudy breezy
6/14/97	1819	00B	***D***	<i>Cnemidophorus tigris</i>	27	partly cloudy breezy
6/14/97	1828	23G	***D***	<i>Cnemidophorus tigris</i>	25	mostly cloudy light breeze
6/14/97	1838	23B	***C***	<i>Cnemidophorus tigris</i>	26	mostly cloudy light breeze
6/14/97	1841	23C	***D***	<i>Cnemidophorus tigris</i>	26	mostly cloudy light breeze
6/14/97	1851	22J	***D***	<i>Cnemidophorus tigris</i>	25	mostly cloudy light breeze
6/14/97	1904	22F	***D***	<i>Cnemidophorus tigris</i>	27	mostly cloudy calm
6/14/97	1915	22A	***C***	<i>Cnemidophorus tigris</i>	27	mostly cloudy calm
6/14/97	1919	22B	***D***	<i>Uta stansburiana</i>	27	mostly cloudy calm
6/16/97	1210	22J	***D***	<i>Cnemidophorus tigris</i>	33	partly cloudy windy
6/16/97	1210	22J	***D***	<i>Cnemidophorus tigris</i>	33	partly cloudy breezy
6/16/97	1210	22J	***D***	<i>Cnemidophorus tigris</i>	33	partly cloudy breezy
6/16/97	1214	22I	***C***	<i>Cnemidophorus tigris</i>	34	partly cloudy breezy
6/16/97	1219	22C	***A***	<i>Cnemidophorus tigris</i>	35	partly cloudy breezy