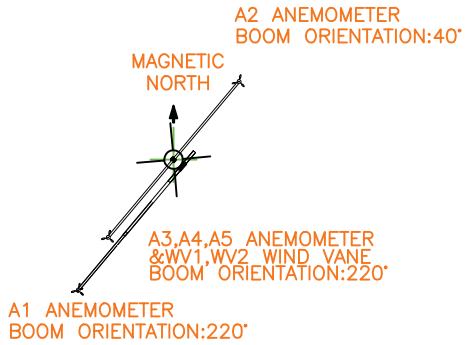
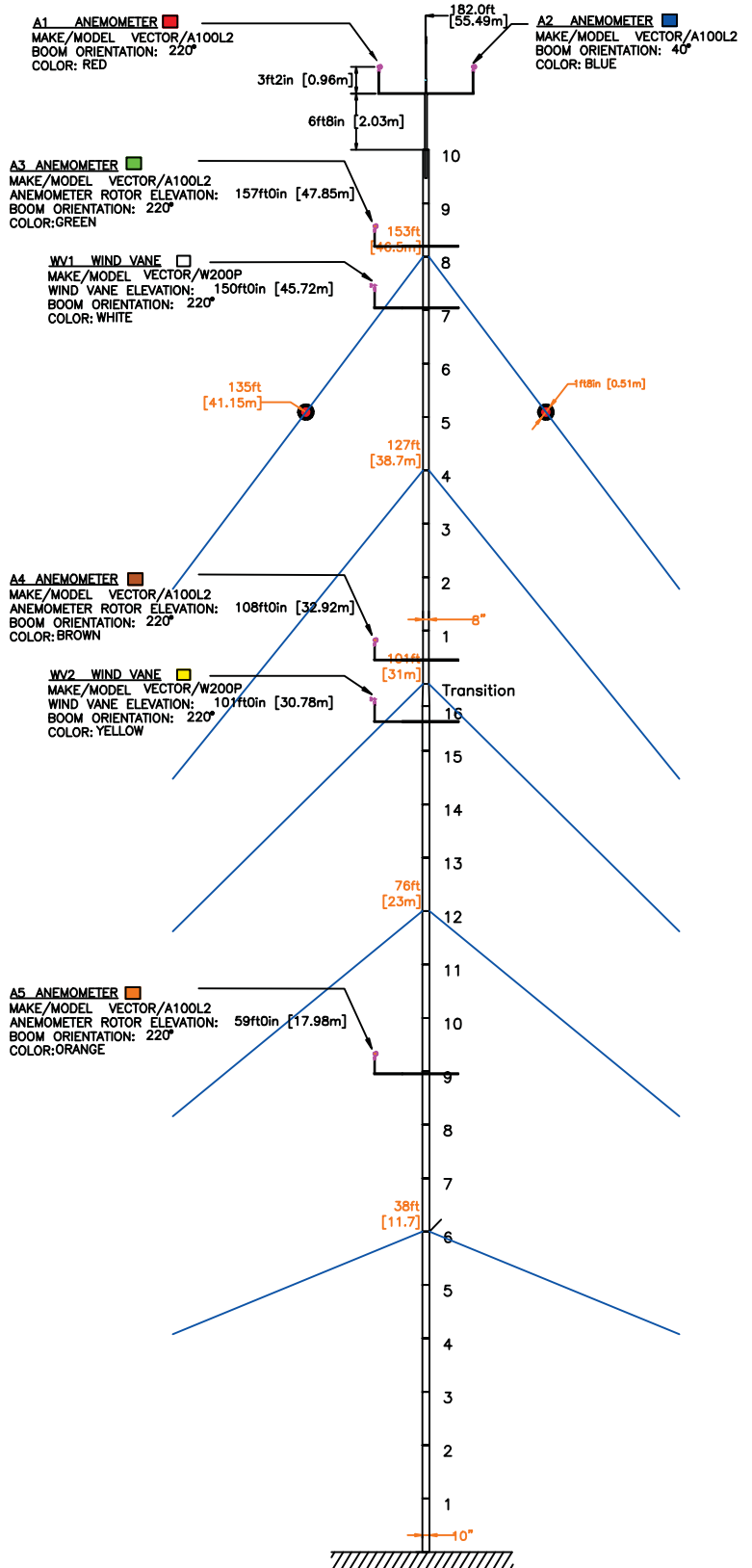
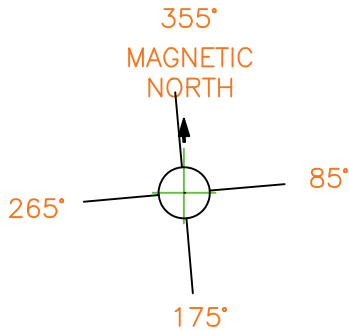


BOOM ORIENTATION



MAST ORIENTATION



NRG 50m XHD
UTM ZONE 11 NAD27, METERS
X:681965 Y:4666976

LAT/LONG WGS84
N42.1356 W114.7991

BOOM SEPARATION 69in [1.75m]

| ISSUE | DRAWN | DATE | APPD | DATE | REVISION NOTES |
|-------|-------|--------|------|--------|----------------|
| 01 | BH | 081008 | CC | 100808 | FIRST ISSUE |

DRAWING NUMBER
01264D5003-01

PROJECT TITLE
IDAHO - CHINA MOUNTAIN WIND FARM

DRAWING TITLE
NRG 50M XHD USACHNM495

PURPOSE PRELIMINARY
COORDS N/A

SCALE ORIGINAL PLOT SIZE A

LAYOUT DRG N/A
T-LAYOUT NO. N/A

THIS DRAWING IS THE PROPERTY OF RES AMERICA DEVELOPMENT INC. AND NO REPRODUCTION MAY BE MADE IN WHOLE OR IN PART WITHOUT PERMISSION

THIS DRAWING WAS PRODUCED BY:
RES
RES AMERICA DEVELOPMENTS INC.
11101 W 120TH AVENUE SUITE 400
BROOMFIELD, CO 80021
TEL: +1 303 438 4200
FAX: +1 303 438 4299

**50m XHD with
Standard Footprint**

Tower Layout

TUBE SPECS (in order of assembly):

Tower:
 Base Tube (with pivot pin hole) 10" Ø x 87"L (1 tube)
 Plain Tubes 10" Ø x 87"L (14 tubes)
 Plain Tube (short) 10" Ø x 73"L (1 tube)
 10"-8" TRANSITION, 36"L
 Plain Tubes 8"Ø x 87"L (10 tubes)

Gin Pole:
 Base Tube (with pivot pin hole) 8"Ø x 87"L
 Plain Tubes 8"Ø x 87"L

